

## TRANSMITTER MODIFICATIONS FOR USE WITH VHF EQUIPMENT

Some simple modification must be made in the transmitter so that the VHF Equipment may be integrated into the station. First, the screen grid circuit of the final amplifier must be disabled for six meter operation. In addition, low level output (0.25V) must be added. Equipment manufactured by the R.L. Drake Company may be returned to the factory where it will be modified for a nominal charge.

### T-4X Modifications

Although the following instructions are intended for the T-4 series of transmitters, the principles should be applicable to other transmitters.

Carefully drill three 1/4 inch holes in the rear of the chassis in the location shown in Fig. 2. Three holes are provided in the T-4B/T4XB and T4XC chassis and need not be added. Mount the phono fittings in the holes with nuts, lockwashers, and ground lugs.

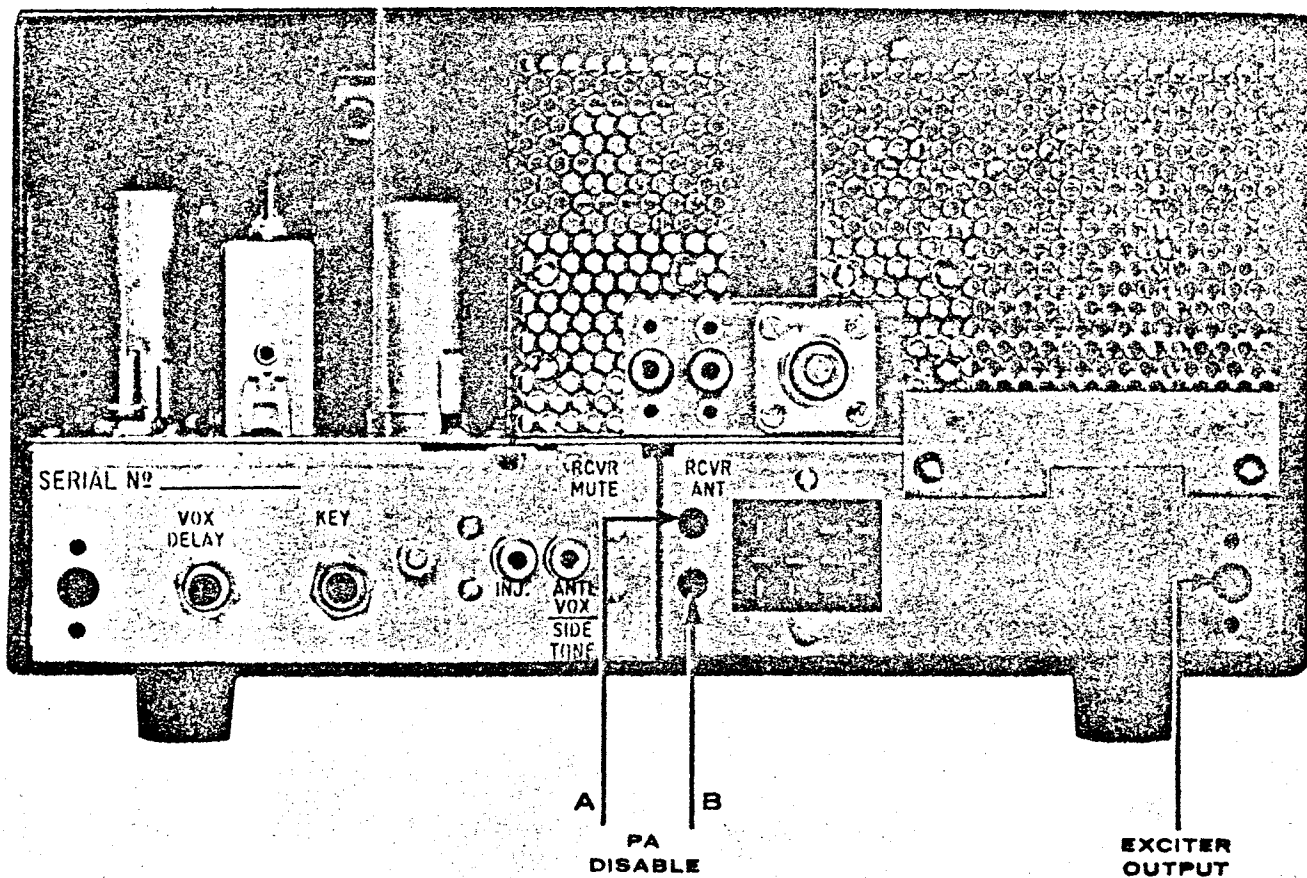
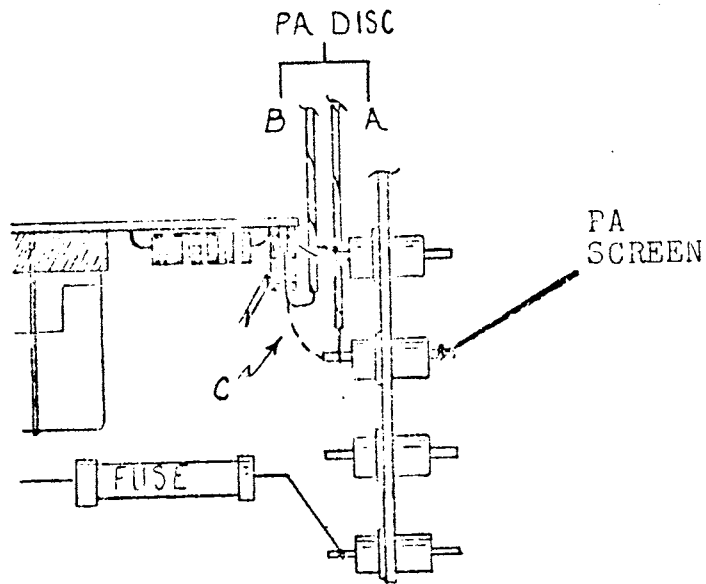
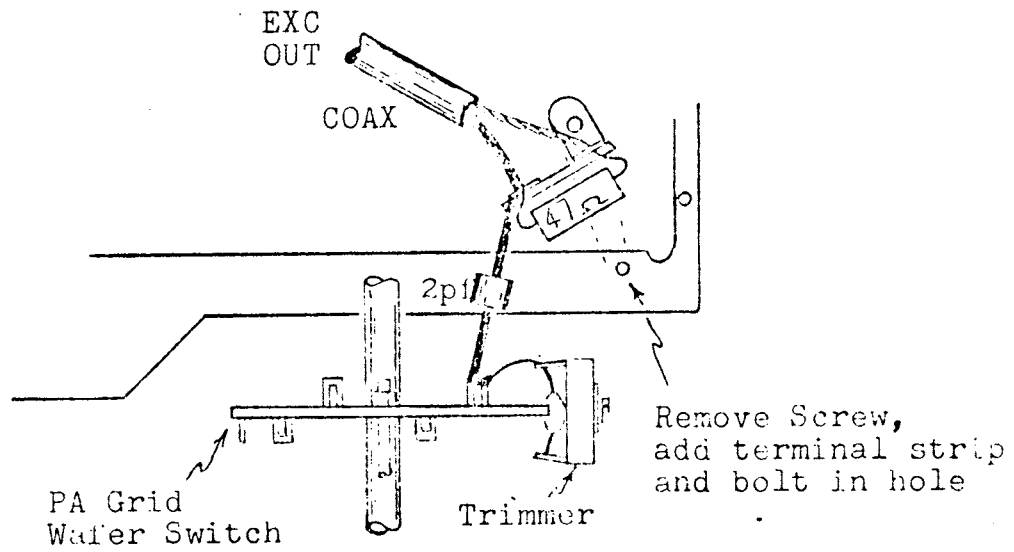


FIG. 1

Hole Locations for VHF Modifications



Clip present wire (C)  
and add wires (A & B)  
as shown above.



Remove jumper wire (C) between relay printed circuit board and feed thru capacitor. Connect a wire from P.A. disable jack (A) to feed thru capacitor. Install a .001 mf disc capacitor to ground from P.A. disable jack (A). Connect a wire from P.A. disable jack (B) to relay printed circuit board (Terminal jumper was removed from). Install a .001 disc capacitor to ground from P.A. disable jack (B). See figures 2 and 3. Solder all connections.

Install a two lug terminal strip (one lug grounded) as per figure 2. Connect a 2.0 pf capacitor from the twenty meter grid trimmer capacitor to the ungrounded lug of the terminal strip.

Connect a 47 ohm 1/2 watt resistor between the two lugs of the terminal strip. Connect a length of coax cable between the terminal strip and the remaining phono jack (Exciter out). The braid should be grounded at both ends of the coax cable. Solder all connections. Retune the twenty meter trimmer according to the instructions in the transmitter manual.

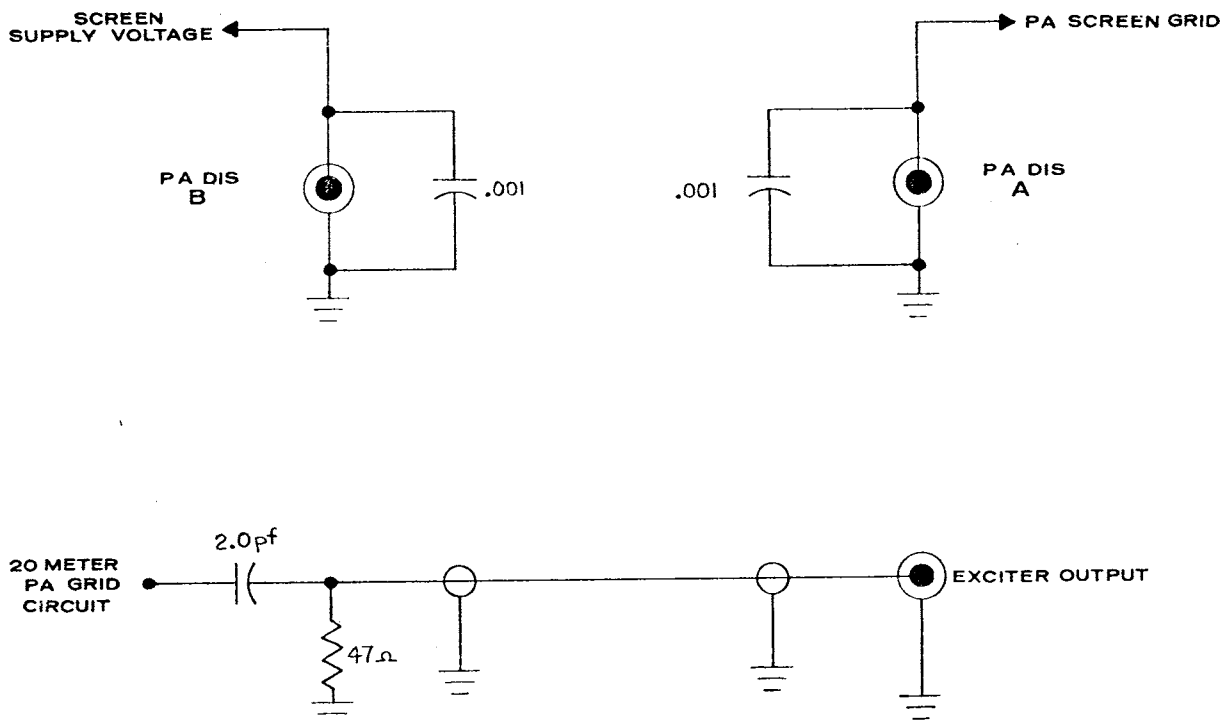



FIG. 3 T-4 MODIFICATIONS

# 14XC VHF MOD KIT PARTS

3 RCA PHONE JACK W/NUT, LOCK WASHER, SOLDER LUG

1 RCA PHONE JACK W/NUTS, BOLTS, AND LOCK WASHERS  2-NO. 4 BOLTS  
NUTS LOCK WASH

1 WIRE ORANGE RED WHITE 6 1/4 "

1 WIRE RED WHITE 5 3/8 "

1 RG-174 BLACK 8 "

1 47 OHM 1/2 W

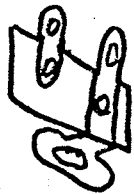
1 7.5 pF DISC.

1 180 pF DISC.

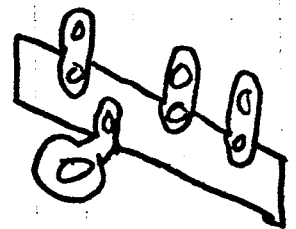
2 .001 DISC.

1 2 pF GIMMICK

1 2 POST TERMINAL STRIP (ONE POST GROUND)



1 3 POST TERMINAL STRIP



2 7" CABLES

# **K4XL's** **BAMA**

This manual is provided **FREE OF CHARGE** from the “BoatAnchor Manual Archive” as a service to the Boatanchor community.

It was uploaded by someone who wanted to help you repair and maintain your equipment.

If you paid anyone other than BAMA for this manual, you paid someone who is making a profit from the free labor of others without asking their permission.

You may pass on copies of this manual to anyone who needs it. But do it without charge.

Thousands of files are available without charge from BAMA. Visit us at <http://bama.sbc.edu>